



Ergotron® Mobile WorkCenter

a modular computer workcenter on wheels

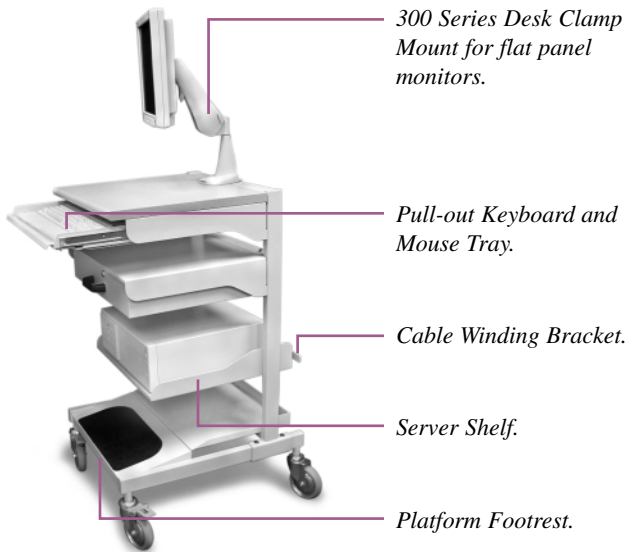
Highlights

- *A mobile, computer mounting system and workcenter that takes computing to any room or area*
- *Compact footprint takes up minimal floor space and easily fits through doorways*
- *Easily customized with multiple configuration options*
- *Durable, heavy-duty steel construction*
- *Heavy-duty, lockable 5" diameter Casters permit smooth movement*
- *Stainless steel worksurface and footrest options*
- *Internal cable management conceals and routes cables*
- *Monitor Arm provides adjustability and holds the monitor above the worksurface*
- *Vented and secure CPU and UPS Holders prevent inadvertent system shut-down*
- *Industry-leading warranty*



The Ergotron Mobile WorkCenter (MWC) organizes computer equipment into a self-contained workcenter on wheels that takes computing to any room or area. The compact, 22"-wide by 26"-deep (559 x 660 mm) configuration easily holds a complete computer system. Suspending the CRT or flat panel monitor above the worksurface provides a convenient writing area. Monitor suspension also provides ergonomic adjustability for all operators. Optional storage drawers and cabinets create a multipurpose workcenter that accommodates both computer equipment and supplies.





300 Series Desk Clamp Mount for flat panel monitors.

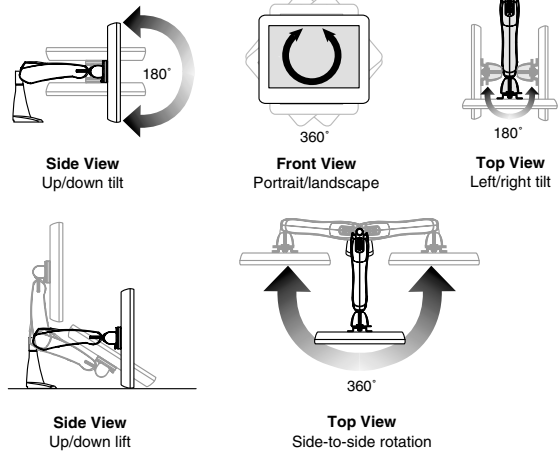
Pull-out Keyboard and Mouse Tray.

Cable Winding Bracket.

Server Shelf.

Platform Footrest.

300 Series Flat Panel Arm Range of Motion:



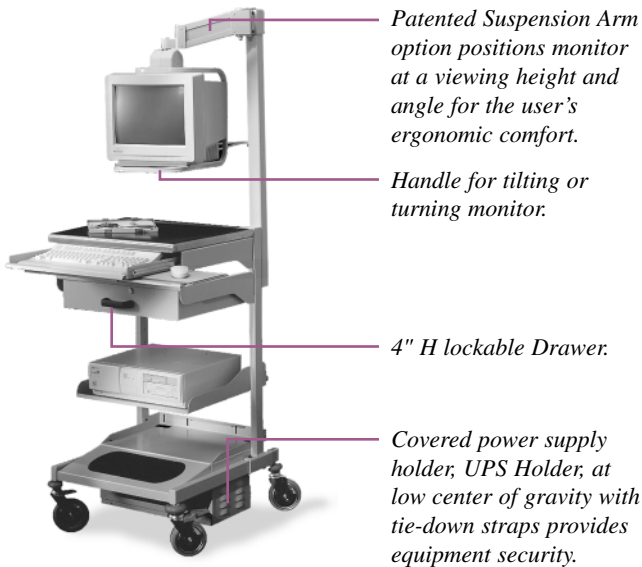
Side View
Up/down tilt

360°
Front View
Portrait/landscape

180°
Top View
Left/right tilt

Side View
Up/down lift

360°
Top View
Side-to-side rotation



Patented Suspension Arm option positions monitor at a viewing height and angle for the user's ergonomic comfort.

Handle for tilting or turning monitor.

4" H lockable Drawer.

Covered power supply holder; UPS Holder; at low center of gravity with tie-down straps provides equipment security.



Monitor Platform and Security Straps.

A fully articulating Keyboard Arm and Mouse Tray.

8" H lockable Drawer.

Bar Footrest.

Caster Bumpers.

5" lockable Casters.

Basic Specifications:

Base Unit includes: Frame, Legs, Casters, Cable Winding Bracket

Mobile WorkCenter Options:

- Worksurface 20"D x 22"W in laminate or stainless steel
- 4" and 8" Drawers (with lock)
- 15" & 19" Tower Shelves (15" Shelf acts as UPS Cover)
- Server Shelf
- CPU Cabinet, 20" wide, vented, lockable, holds CPUs up to 18-3/8"W (467 mm), 21"D (533 mm) and 8"H (203 mm)
- UPS Holder, 20" wide, vented, accepts UPS up to 19-1/2"W (495 mm), 10"D (254 mm) and 8-3/4"H (222 mm)

- Monitor Platform and Security Straps
- Four-piece Caster Bumper Kit
- 6" Suspension Arm: Holds up to 65 lbs (29.5 kg) CRT monitor, has a vertical adjustment range of 6" (152 mm), monitor tilt adjustment of 20°, monitor swivel adjustment of 360° and front-to-back range of 25°
- Flat Panel Monitor Mounting

Keyboard Holder Options:

- Worksurface mounted 2" drop pullout
- Articulating mechanism (rotating and non-rotating)
- Keyboard Drawer (with or without Mouse Tray)

© 2003 Ergotron, Inc.
rev. 07/01/2003 870-05-012

Ergotron, Inc.: St. Paul, MN; (800) 888-8458;
www.ergotron.com; sales@ergotron.com

Ergotron Europe: Amsterdam, The Netherlands;
Tel. +31 20 312.29.39; info.eu@ergotron.com

Ergotron Canada: Calgary, Alberta;
(800) 267-9912; info.ca@ergotron.com

